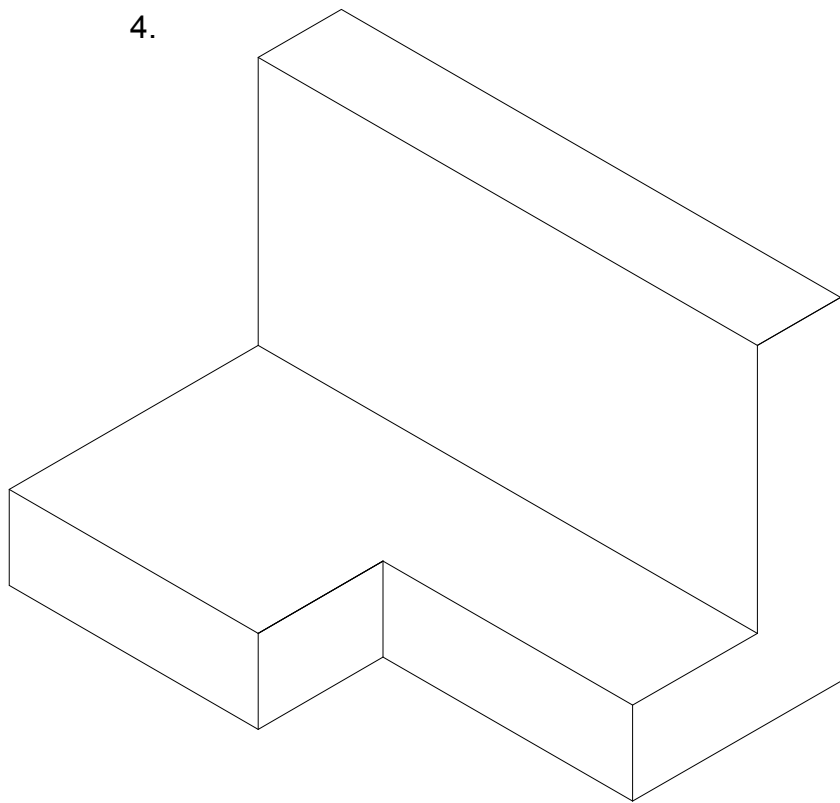
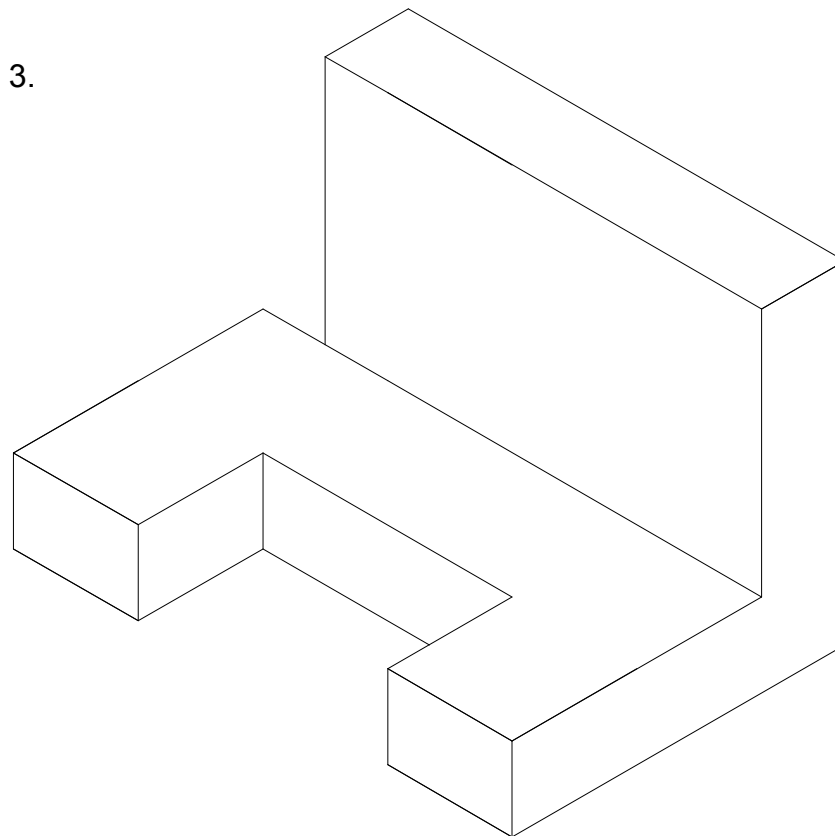


4.



3.



**STEVENSON HIGH SCHOOL**

TECHNOLOGY EDUCATION DEPARTMENT  
TECHNICAL DRAWING PROGRAM

DRN BY: Mark Hartzen

DATE: 11/3/11

SCALE: 1:1

1

1